



The sleek and practical coupe SUV



Haval H6GT

GO WITH MORE

Haval H6GT.

The sleek and practical coupe SUV.

Contents	Page 1
Introduction	Page 2
Design	Page 6
Performance	Page 8
Technology	Page 14
Safety	Page 16
Colour	Page 20
Dimensions	Page 22
Specifications	Page 24



Say hello to GWM.

GWM is a world-renowned vehicle manufacturer capable of designing and producing SUVs, utes and powertrains simultaneously. At GWM, everything we do is grounded in our corporate philosophy: ‘improving little by little every day.’

From building world-class research and development systems, which enable continuous innovation, to following the ‘excessive investment’ principle, which drives industry leadership, we relentlessly put our philosophy into practice. With nearly 8 million sales to date, in more than 170 countries (and counting), we are the No. 1 SUV brand in the world’s largest market and have been for the past 9 years. Our brand vision is to pioneer global mobility solutions, which use innovative technology to deliver a more pleasurable driving experience. Through innovation and global collaboration, we continue to improve our vehicles’ reliability, safety, performance, design and technology.

Haval H6GT. The best of both worlds.

Part striking coupe, part smart SUV, the H6GT is for those who want sporty design and effortless practicality. With a long list of safety, technology, performance and comfort features, it's the best of all possible worlds.



19" alloy wheels



LED headlights



Signature GT embroidered seats

Engineered for individuality.

From the front to the back, the top to the bottom, every inch of the H6GT has been meticulously thought out. Whether you're ducking out to the shops, or on a road-trip, your best accessory will always be with you.



Rear Seats 60/40 Split



12.3 inch Full Colour Touch Screen Infotainment System



Rotary gear shift dial



*Panoramic sunroof**

**Ultra variant only*



Spacious cabin design



Multi - Function Steering Wheel

Performance that's a grade above.



With a choice of 2WD and 4WD drivetrains, the H6GT SUV is astute in all driving conditions and lacks for nothing in terms of performance. The H6GT is built around the driver with a beautifully crafted interior giving a balance of versatility and modern luxuries to effortlessly perform in everyday life. The new 2.0 litre turbo petrol engine packs a punch, delivering performance when and where you need it. The second generation 7-speed Dual Clutch Transmission improves throttle response timing, and increases efficiency to provide crisp gear shifts and a more direct drive feel. The intelligent 4WD System can redistribute torque between front and rear axles to a ratio of up to 50/50 to ensure grip in even the most challenging conditions.

**The 2.0 litre
turbo petrol
engine packs a
punch, delivering
performance where
and when you need it.**





Drive smart.

From the digital instrument panel and heated seats, to the LED dash lighting and panoramic sunroof*, the H6GT comes with an array of advanced features to make every drive seamless and comfortable for you, wherever you go.

*Ultra variant only



Safety in every journey.



TESTED 2022 ★ ★ ★ ★ ★



ANCAP Safety test

This sporty and stylish SUV is also unbelievably safe. Having achieved the highest possible 5 star safety rating by ANCAP, the Haval H6GT comes with a comprehensive suite of safety systems designed to protect you and others on the road. Advanced safety features including Intelligent Adaptive Cruise Control, Lane Keep Assist, Traffic Sign Recognition, Traffic Jam Assist, and Auto Parking Assist* all combine to give you peace of mind knowing that GWM is looking out for you and everyone else around you every time you drive.

*Ultra variant only

Protection from all angles.



The smart active and passive safety technologies found inside the H6 including Auto Emergency Braking, Rear Cross Traffic Assist*, Lane Departure Warning, Blind Spot Detection and a 360-view camera, will let you know who or what's in front, behind and either side of you every time you take the vehicle out for a drive.

*Ultra variant only

GWM Care

GWM Care Every GWM comes with GWM Care. It begins from the moment you take delivery of your vehicle and continues long into the future. Wherever the road leads, you can rest assured knowing that your GWM will be kept at its best for many years to come.

7 Year
Unlimited
Warranty

5 Year
Roadside
Assist



GWM vehicles are available in a range of stunning contemporary colours.



Hamilton White

Golden Black

Sapphire Blue

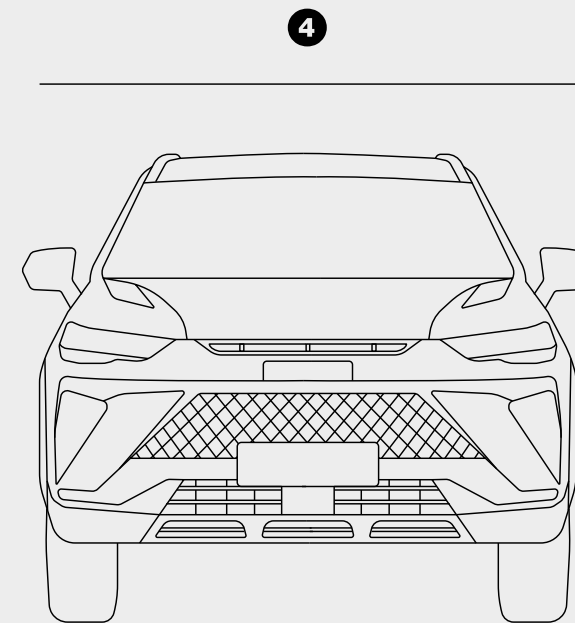
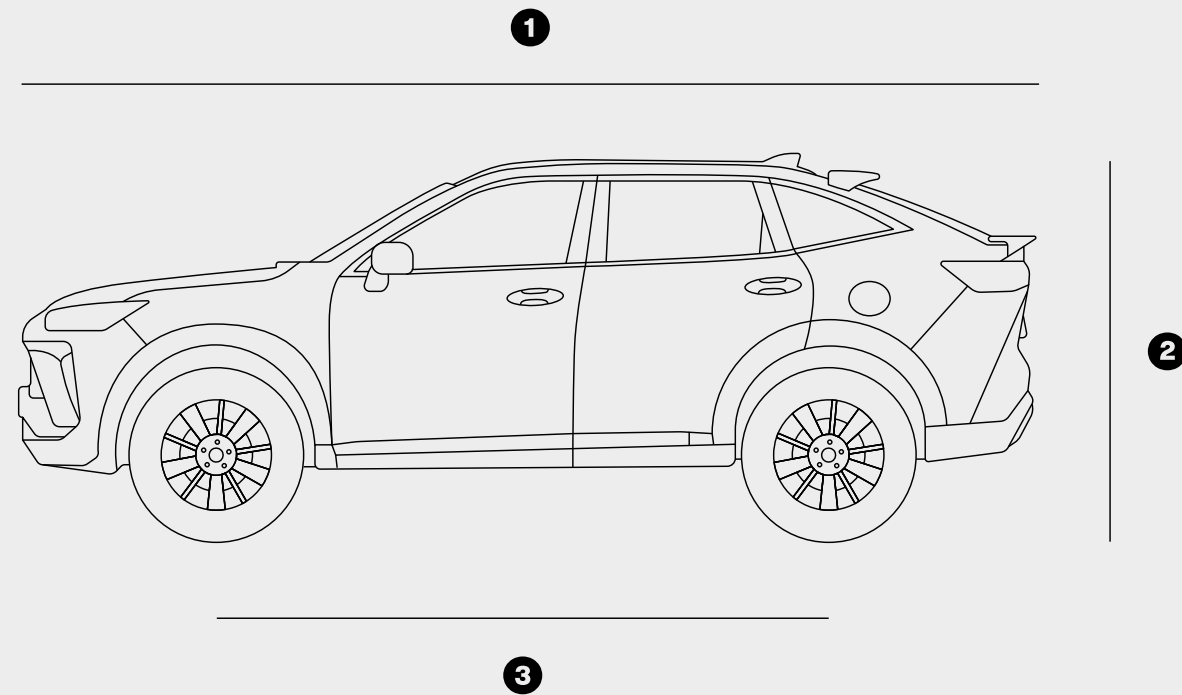
Atlantis Blue

Crayon Grey

Burgundy Red

Colour.

- ① Length: 4727mm
- ② Height: 1729mm
- ③ Wheelbase: 2738mm
- ④ Width: 1940mm



Dimensions.

		Lux 2WD	Ultra 4WD
Dimensions	Length/Width/Height (mm)	4727x1940x1729	4727x1940x1729
	Wheelbase (mm)	2738	2738
Engine	2.0L Petrol	●	●
	Displacement (cm ³)	1998	1998
	Max power (kW@rpm)	150 @ 6000-6300	150 @ 6000-6300
	Max torque (Nm@rpm)	320 @ 1500 - 4000	320 @ 1500 - 4000
	Bore x stroke (mm)	82 x 94.6	82 x 94.6
	Compression ratio	12.0 : 1	12.0 : 1
	Fuel economy (L/100km) combined ²	7.5	8.4
	Carbon Dioxide Emissions (g/100km)	173	193
Recommended fuel octane rating	91	91	
Transmission	7-Speed Dual Clutch Transmission	●	●
	Driveline	2WD	4WD
	Gear ratios	1st 3.688:1, 2nd 2.684:1, 3rd 1.679:1, 4th 1.022:1, 5th 0.830:1, 6th 0.804:1, 7th 0.642:1, Reverse 3.598:1	1st 3.688:1, 2nd 2.684:1, 3rd 1.679:1, 4th 1.022:1, 5th 0.830:1, 6th 0.804:1, 7th 0.642:1, Reverse 3.598:1
Wheels	Size	19" Alloy Wheel Black	19" Alloy Wheel Black
	Spare wheel	T135/90R17	T135/90R17
Brakes	Front and rear	Front: Ventilated disc brake / Rear: Solid Disc brake	
	Electronic park brake with brake hold	●	●
Chassis & Steering	Turning circle – kerb to kerb (m)	12.0	12.0
	Driving Modes - 2WD (Normal/Eco/Sport/Snow)	●	
	Driving Modes - 4WD (Standard Modes + All Terrain Response System)		●
	Intelligent Start Stop	●	●
Suspension	Suspension	Front: Macpherson / Rear: Multi link	
Weights and capacities	Towing capacity ³ – with trailer brakes	2,000	2,000
	Towing capacity ³ – without trailer brakes	750	750
	Kerb weight ¹ (kg)	1,570	1,680
	Gross Vehicle Mass ¹ (kg)	2,020	2,100
	Seating capacity	5	5
	Luggage capacity (L) Minimum	392	392
	Luggage capacity (L) Maximum	1390	1390
	Fuel tank capacity (L)	61	60
Exterior	Electric Tail Gate with Memory Function	●	
	Electric Tail Gate with hands-free opening & Memory Function		●
	Automatic Windscreen Wipers	●	●
	Roof Rails	●	●
	Panoramic Sunroof		●
	Shark Fin Aerial	●	●

Specifications.

		Lux 2WD	Ultra 4WD
Interior	Multi - Function Steering Wheel	●	●
	Microfibre Faux Leather Steering Wheel	●	●
	Heated Steering Wheel		●
	Paddle Shifter	●	●
	4 - Way Manually Adjustable Steering Wheel	●	●
	Stainless Steel Threshold (Front Door Only)		●
	Sun-Visor with Vanity Mirror and Light	●	●
	Wireless Charging		●
	Front 12V Power	●	●
	Luggage Cabin 12V Power		●
DVR USB Port	●	●	
Cargo Cover	●	●	
Seats	Comfort-Tek Grey Suede Faux Leather Accented Seat Trim	●	●
	8-Way Electric Adjustable Driver Seat including 2-way Lumbar Support	●	●
	4-Way Manual Adjustable Front Passenger Seat	●	
	4-Way Electric Adjustable Front Passenger Seat		●
	Front Heated Seats	●	●
	Front Ventilated Seats		●
Rear Seats 60/40 Split	●	●	
Entertainment	10.25 inch Full Colour Instrument Cluster	●	●
	Radio FM / AM	●	●
	Bluetooth Hands Free Link System	●	●
	10.25 inch Full Colour Touch Screen Infotainment System	●	
	12.3 inch Full Colour Touch Screen Infotainment System		●
	Front USB with Charge & Data Transmission	●	●
	Rear USB with Charge	●	●
	8 Speakers	●	●
Apple Carplay™ + Android Auto	●	●	
HUD (Heads Up Display)		●	
Security	Keyless Entry System	●	●
	Push Button Start	●	●
	Anti-theft Immobiliser	●	●
	Burglar Alarm	●	●
Glass	Rear Privacy Glass	●	●
	Anti-Glare Rear View Mirror - Automatic	●	●
	Four Window + One Touch Up & Down + Anti-Pinch	●	●
	Key Fob Window Close Function	●	●
	Heated Door Mirrors		●
	Power Adjustable Door Mirrors + Electric Folding + Indicator	●	●
	Auto Foldable Rear View Mirror Locking	●	●

		Lux 2WD	Ultra 4WD
Safety	Dual SRS Airbags	●	●
	Front Side Airbags	●	●
	Centre Airbag	●	●
	Curtain Airbags	●	●
	Pre-tensioners with load limiters for front seat belts	●	●
	Pre-tensioners with load limiters for outer rear seat belts	●	●
	Seatbelt reminder (all seats)	●	●
	ISOFIX	●	●
	Child Safety Lock	●	●
	ESC (Electronic Stability control)	●	●
	TCS (Traction Control System)	●	●
	RMI (Roll Movement Intervention)	●	●
	BA (Brake Assist)	●	●
	HDC (Hill Descent Control)	●	●
	HHC (Hill-Start Assist Control)	●	●
	BOS (Brake Override System)	●	●
	TPMS (Tyre Pressure Management System)	●	●
	Front Parking Sensors	●	●
	Rear Parking Sensors	●	●
	360° view monitor	●	●
	Auto Parking Assist		●
	Reverse Assist		●
	ACC (Adaptive Cruise Control) with Stop and Go	●	●
	Intelligent Cornering Control	●	●
	Intelligent Dodge		●
	ELK (Emergency Lane Keep)	●	●
	RCTA (Rear Crossing Traffic Alert)		●
	RCTB (Rear Crossing Traffic Braking)		●
	FCW (Forward Collision Warning)	●	●
	LDW (Lane Departure Warning)	●	●
	LKA (Lane Keeping Assist)	●	●
	LCK (Lane Centre Keeping)	●	●
	AEB (Automatic Emergency Braking) Pedestrian, Bicycle & Crossroads	●	●
	TSR (Traffic Sign Recognition)	●	●
	Lane Change Assist	●	●
	RCW (Rear Collision Warning)	●	●
DOW (Door Open Warning)	●	●	
TJA (Traffic Jam Assist)	●	●	
ICA (Intelligent Cruise Assistance)	●	●	
IACC (ACC Integrate TSR)	●	●	
Driver Drowsiness Detection	●	●	

		Lux 2WD	Ultra 4WD
Lighting	LED Headlights	●	●
	LED Tail Lights	●	●
	Automatic Headlights + "Follow Me Home" Function	●	●
	LED Front Fog Lights	●	●
	Fog Lights with Assist Lighting Function	●	●
	LED Rear Fog Lights	●	●
	DRL (Daytime Running Lights)	●	●
	Mood Lighting (Single Colour)		●
Air Conditioning	Dual-Zone Automatic Air Conditioning	●	●
	Auto Demisting	●	●
	Rear Passenger Air Vents	●	●

Specifications.





For more information visit gwmnz.com/nz

GWM New Zealand reserve the right to alter vehicle specifications and equipment levels without notice. Some equipment featured on vehicles in this brochure may not be available or may be optional. To the extent permitted by law, GWM New Zealand shall not be liable to any person as a result of reliance on the content of the brochure. Always check with your local GWM Dealer for the latest product specifications.

Information in this brochure is current as at 10/05/2023.

Edition Code: GWMNZ 10-05-2023.

Copyright © GWMNZ . All rights reserved.